



GF Sentry Series Infra-Red Salamander Broiler

Item: _____
 Quantity: _____
 Project: _____
 Approval: _____
 Date: _____

GF Sentry Series Infra-Red Salamander Broiler

Models:

- GFIR36
 GFIR48
 GFIR60
 GFIR36C

Infra-Red Broilers With
Pull Out Broiling Rack



Model GFIR36

Standard Features:

- Range Mount Models – stainless steel front, sides, top, backsplash, & bottom w/heat shield
- Counter: model GFIR36C – stainless steel front, sides, & top – C/W 4" (102mm) legs
- 1/2" NPT gas inlet: range mount, standard on top; counter models standard at rear, All models can be ordered with top or rear gas connections, specify at time of order
- Two (2) 14,000 BTU (4.10 kw) atmospheric infra-red burners, each controlled with Hi-Lo valve
- Sentry flame failure protection
- Gas Regulator
- Fixed position broiling rack with flat or easy view tilt position, roll in, roll-out back
- Large capacity removable grease pan

Optional Features:

- Stainless steel main back.
- Stainless steel main bottom – GFIR36C
- Brackets for wall mounting and stainless steel bottom w/heat shield – GFIR36C
- Interconnecting gas piping for range mount

Specifications:

Range mount gas infra-red salamander broiler. Two 14,000 BTU (4.10 kw) atmospheric burners, each with a Hi-Lo valve. Fixed position, roll-in, roll out broiling rack with flat or tilt positions. 34" (864mm) wide x 19 3/8" (492mm) deep x 73 11/16" (1872mm) high when mounted on a range. Refer to drawing for detail specifications. 28,000 BTU (8.20kw) total. Natural or propane gas. Available as counter top or wall mounted models – GFIR36C.



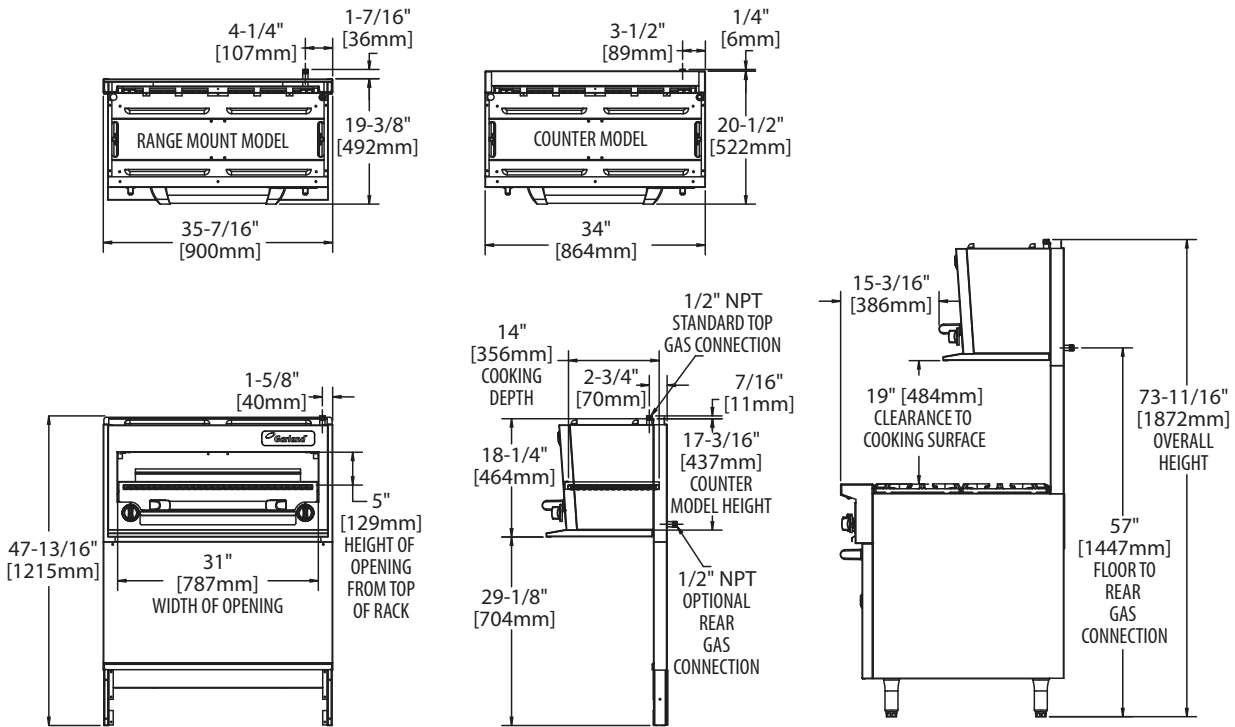
Model	Description	Width	Use With GF Series Model	Shipping Information		Entry Clearances	
				Cu Ft	lbs/Kg	Crated	Uncrated
GFIR36C	Counter/Wall Mount	34" (864mm)	N/A	21	170/77	31" (787mm)	21" (533mm)
GFIR36	Range Mount	35-1/2" (900mm)	GF/GFE36	38.2	200/91	31" (787mm)	21" (533mm)
GFIR48	Center Mounted Broiler With Extended Flue On Both Sides	47-1/4" (1200mm)	GF/GFE48	60.6	230/105	31" (787mm)	21" (533mm)
*GFIR60	Broiler With 24"(610 mm) Flue Riser And Shelf	59-1/16" (1500mm)	GF/GFE60	60.6	260/118	31" (787mm)	21" (533mm)

* Note: for range models, salamanders are standard on right but available on the left as an option. For raised griddle/broiler models, salamanders are only available on left side of the range.

Model	Combustible Clearances			Manifold Operating Pressure	
Counter	For use in non-combustible locations only			Natural	Propane
Range Mount	Sides	6"(152mm)	Back	6"(152mm)	4"WC(10mbar) 10"WC (25mbar)

Gas input ratings shown here are for installations up to 2,000 ft. (610m) above seal level. Specify altitudes over 2,000 ft. Garland/U.S. Range products are not approved or authorized for home or residential use, but are intended for commercial applications only. Garland / U.S. Range will not provide service, warranty, maintenance or support of any kind other than in commercial applications

Please specify gas type when ordering.



Form# GFIR (07/29/11)