

Master Gas Convection Oven

Project _____
Item _____
Quantity _____
CSI Section 11400
Approved _____
Date _____

Models

- MCO-GS-10-ESS
- MCO-GS-20-ESS



Model MCO-GS-10-ESS

Standard Features

- Master 200 Solid State Digital control with 150°F (66°C) to 500° (260°C) temperature range and digital timer
- Electric spark ignition, including automatic pilot system with 100% safety shut off
- 2-speed fan control (high & low) with .6 HP fan motor
- Total of 60,000 BTU (17.6 kW) loading per oven cavity
- Stainless steel front, sides, top, and legs
- 60/40 dependent door design with double pane thermal window in both doors and interior lighting
- Full Length, stainless steel positive door closure
- Patented "Safety Door System"
- Porcelain enameled oven interior with coved corners
- 24" cooking cavity height w/6 chrome plated oven racks on \ 13-position rack guides
- Double deck models available, suffix -20-ESS
- 1 year limited parts & labor warranty (Canada only)

- 2 year limited part & 1 year labor warranty (USA only)
- 2 year limited part & labor warranty (USA Kindergarten to grade 12 schools only)
- 5 year limited door warranty, excluding window (USA & Canada only)

Options & Accessories

- Stainless steel solid door or doors (specify) - No Charge
- Extra oven racks
- Swivel casters, (4) w/front brakes
- 4 Low profile casters, w/front brakes (double ovens only)
- Stainless steel open base with rack guides and shelf
- Direct connect vent
- Back enclosure (stainless steel)
- 3/4" gas flex hose & quick disconnect
- 208 or 240 volt, single phase motor (please specify)
- Maximum security package available contact factory for details

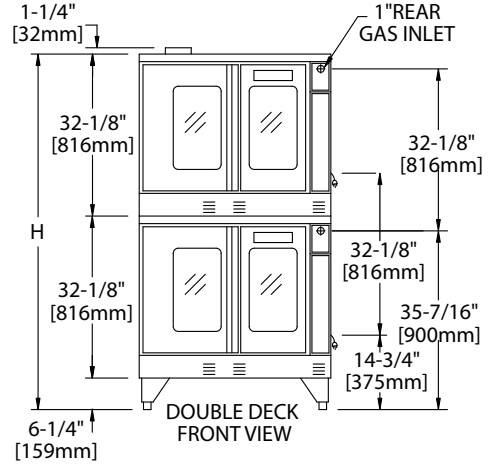
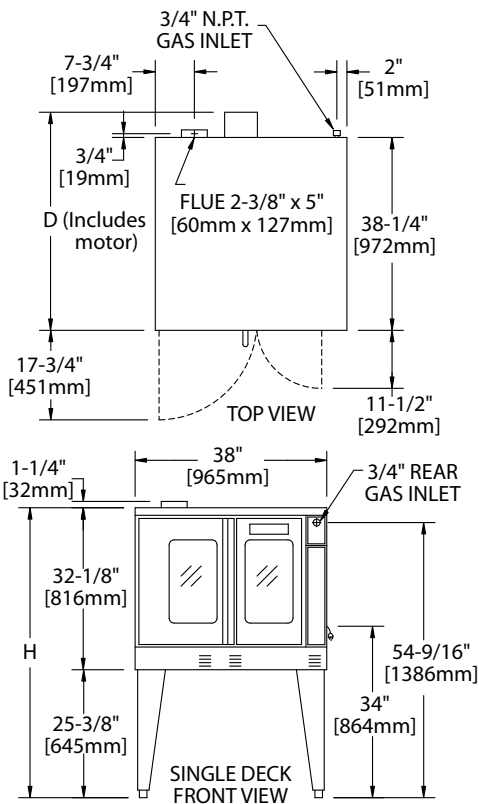
Specifications

Garland Master Full-Size Standard Depth, prefix MCO-GS or Deep Depth, prefix MCO-GD, gas convection oven. 60,000 BTU (17.6 kW)/cavity, .6 HP fan motor with two speed fan control. Electronic spark ignition. Natural gas. Master 200 solid state control with digital timer. Porcelain enameled oven interior with coved corners, Six (6) oven racks and 13-position rack guides.

All model interiors are 29" (736mm) W by 24" (610mm) H, depth is 24" (610mm) for standard depth and 28" (711mm) for deep depth. Stainless steel front, sides, top, and legs. 60/40 dependent door design with double pane thermal window in both doors and interior lighting. Models with suffix -20-ESS are double deck units. Specify voltage if other than 115 volt, 60 Hz, 1 phase. UL, CUL Gas-Fired and NSF Listed. Energy Star approved.



Master Gas Convection Oven


INSTALLATION NOTE:
Combustible Wall Clearances:

Sides: 1" (25mm) Back: 3" (76mm)

***Note:** Installations beside units with high heat sources it is recommended to leave 6" (152mm) on the right side of oven. Refer to the installation manual for more details.

Entry Clearance:

Crated: 47" (1194mm)

Uncrated: 32½" (826mm)

Manifold Operating Pressure:

Natural: 4.1"

Note: Data applies only to North America

PLEASE NOTE:

Standard electrical specifications include motor requirements. (120V units) 115V, .6 HP, 2-speed motor; 1140 and 1725 rpm, 60Hz. (240V units) 200-240V, .6 HP, 2-speed motor; 1140 and 1725 rpm, 60 Hz. A 6 ft. line cord is provided for each 120V deck with a (NEMA #5-15P) plug. Garland recommends a separate 15 AMP circuit for each 120V unit Gas Input rating shown above are for installations up to 2,000 ft. (610)m above sea level. Specify altitudes over 2,000 ft.

SINGLE-DECK MODELS	INT. DIMENSIONS: In mm			EXT. DIMENSIONS: In mm			SHIP WT.	SHIP DIM.
	W	H	D	W	H *	D	lbs/kg	cubic Ft.
Standard Depth	29 (736)	24 (610)	24 (610)	38 (965)	57-1/2 (1461)	41-1/4(1048)	515/230	64

DOUBLE-DECK MODELS	INT. DIMENSIONS: In mm			EXT. DIMENSIONS In mm			SHIP WT.	SHIP DIM.
	W	H	D	W	H *	D	2@lbs/kg	Cubic Ft.
Standard Depth	29 (736)	24 (610)	24 (610)	38 (965)	70-1/2 (1791)	41-1/4(1048)	1030/465	128

*Height with or without standard casters. Height with low profile casters (double deck) is 68-1/2" (1740mm).

MODELS	INPUT RATINGS, NAT & PRO			ELECTRICAL SPECIFICATIONS	
	BTU/hr	kW Eqiv.	Gas inlet	120V/1Ph.	240V/1Ph.
Single Deck	60,000	17.6	(1)@3/4" NPT	(1)@9.8A	(1)@5.2A
Double Deck	120,000	35.2	(1)@1" NPT	(2)@9.8A	(2)@5.2A

Welbilt reserves the right to make changes to the design or specifications without prior notice.